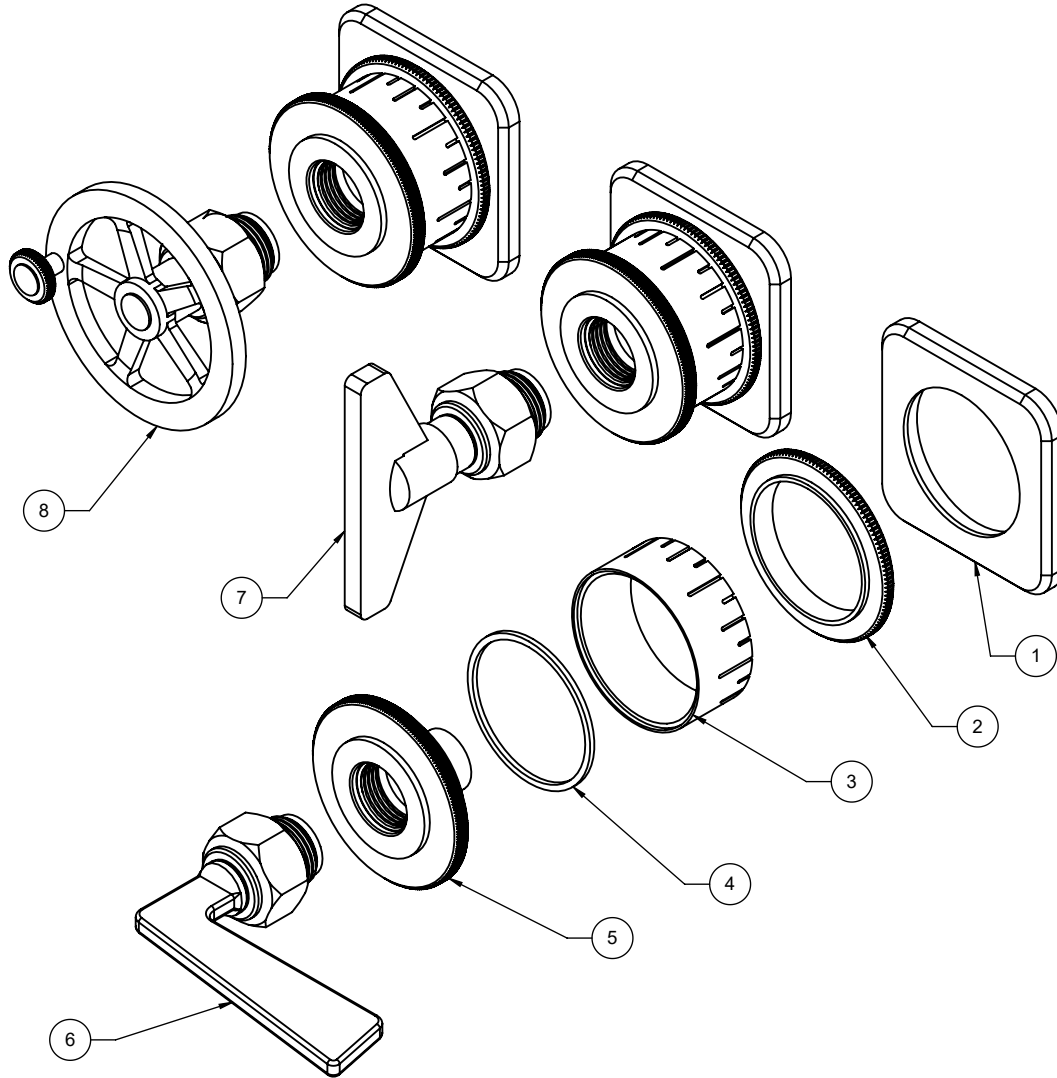


TO-8503L  
TO-8503BL  
TO-8503WL



To order spare parts add and/or replace as stated below:

**SPD-** prefix added to part number(s)  
**-ZZ** replaced with finish code (see finish table)  
**-WW** replaced with **-90** (light finish) or **-96** (dark finish)

Ex: **SPD-7-100463-PC** or **SPD-86030-96**

ITEM	PART NO	DESCRIPTION	QTY.
1	10820-ZZ	RING, SQ ROUNDED BASE	3
2	10821-ZZ	COIN, ESCUTCHEON BOTTOM	3
3	10822-ZZ	ESCUTCHEON, HASHED	3
4	87254-81	WSHR Ø42.16" X Ø45.87 X 1.57MM ACETAL	3
5	10823-ZZ	COIN, ESCUTCHEON TOP	3
for 85 Series	6	7-100322-ZZ ASM, FLAG INDUSTRIAL LEVER	3
for 85B Series	7	7-100324-ZZ ASM, KEY INDUSTRIAL LEVER	3
for 85W Series	8	7-100323-ZZ ASM, WHEEL INDUSTRIAL LEVER	3